

CASCADE SHORING LLC

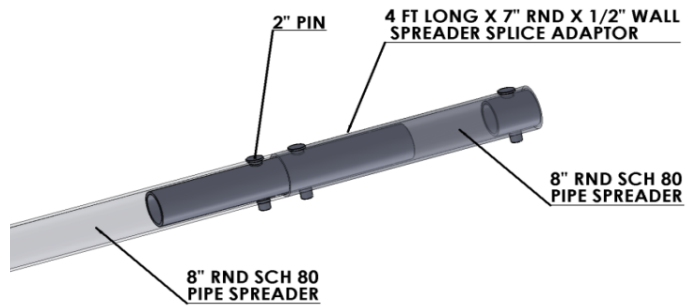
MANUFACTURERS TABULATED DATA

SPREADER SPLICE ADAPTOR

7410 B. SE JOHNSON CREEK BLVD., PORTLAND, OR 97206

TABLE 1

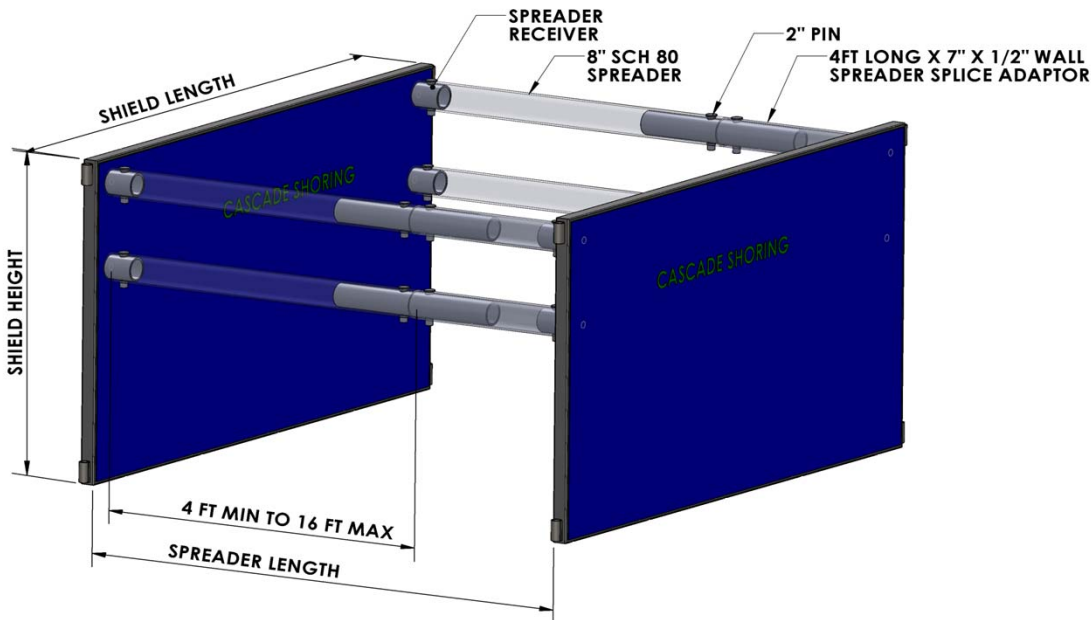
Allowable Shield Loading (PSF) at Spreader Length								
Shield Height (ft)	Shield Length (ft)	Spreader Length (ft)						
		8	10	12	14	16	18	20
4	12	1200	1200	1200	1200	1200	1200	1200
4	16							
4	20							
4	24							
6	12							
6	16							
6	20							
6	24							
8	12							
8	16							
8	20							
8	24							
10	12							
10	16						1175	1025
10	20	1180	1145	1100	1050	995	940	820
10	24	983	954	917	875	829	783	683



Spreader Splice Adaptor

Notes

1. This tabulated data applies to 8" schedule 80 shield pipe spreaders only.
2. There may be only one splice per spreader or pipe spreader.
3. Do not exceed allowable shield loading shown in Table 1 or allowable shield loading given in the Tabulated data for the shield, whichever is lowest



MANUFACTURER

Cascade Shoring LLC
 7410 B SE Johnson Creek Blvd
 Portland, OR 97206



1837 Wright Street
Santa Rosa, CA 95404
707 484-4704

Job #	569-2
Date	12-13.12
Sheet	1 of 1