

J.M. TURNER ENGINEERING, INC. CONSULTING ENGINEERS

CIVIL, STRUCTURAL, & CONSTRUCTION ENGINEERING

Main Office: 1325 College Avenue * Santa Rosa, CA 95404 * Phone (707) 528-4503 * Fax (707) 528-4505

E-MAIL TRANSMITTAL COVER SHEET

TO: Bret Taylor
COMPANY: Cascade Shoring.
PHONE: (503) 777-2017
FAX: (503) 777-2155
E-MAIL: brettaylor@cascadeshoring.com

FROM: Hans Vermeulen
DATE: 04-13-2012
PAGES: _____
RE: Revised 4' Spreader bar

E-Mailed BY: HV TIME: 4:45 PM

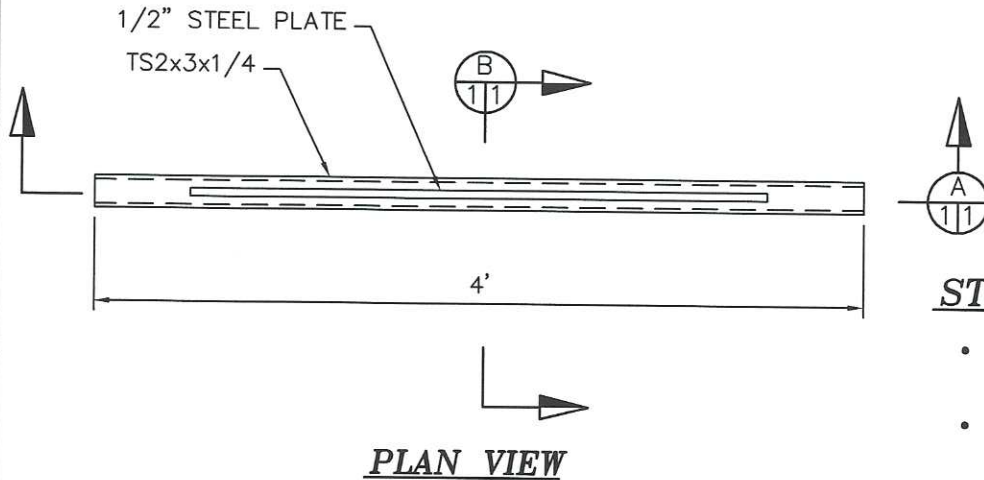
MESSAGE:

See attached revised 4' spreader bar.

Thanks,
Hans Vermeulen

4' SPREADER BAR

MAX LIFTING CAPACITY 3,500 = LBS

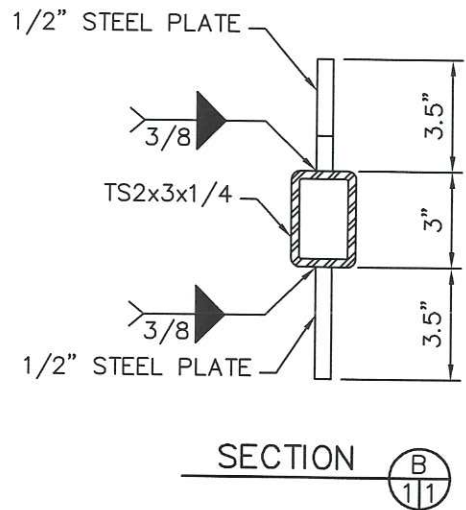
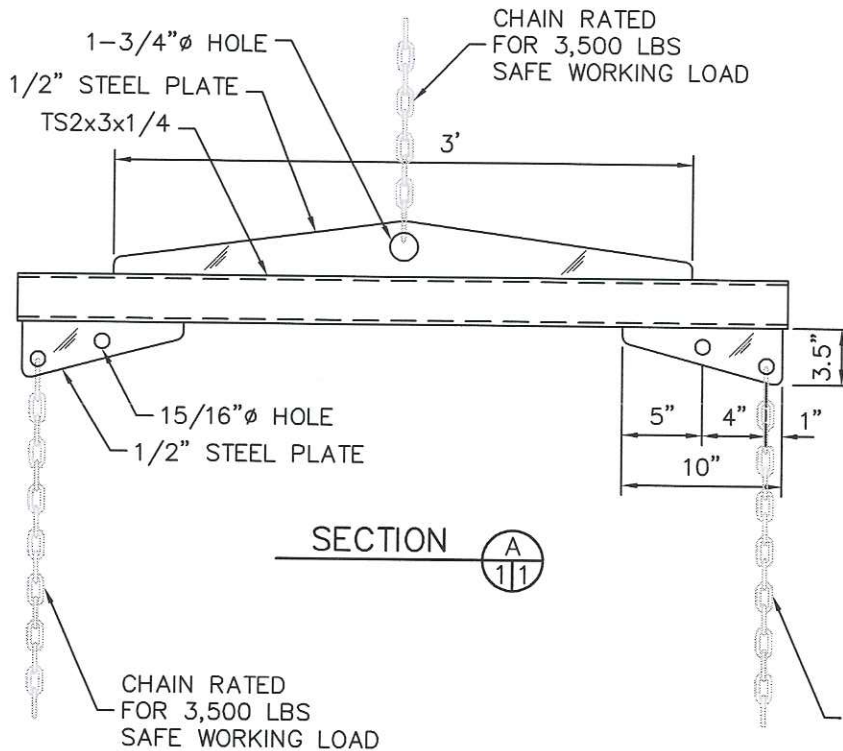


STEEL REQUIREMENTS

- TUBE STEEL TO BE ASTM Fy=46 KSI.
- STEEL PLATES TO BE ASTM A36, MINIMUM Fy=36 KSI.

WELDING REQUIREMENTS

- WELDING TO BE IN ACCORDANCE W/ AWS D1.1. USE E70XX ELECTRODES.



Cascade Shoring LLC
UNDERGROUND SAFETY EQUIPMENT
466 TURNER RD. SE, SALEM, OR. 97301
PH: (503) 485-0820

4' SPREADER BAR
SHOP DRAWINGS

J.M. TURNER ENGINEERING, INC.
CONSULTING ENGINEERS
1325 COLLEGE AVE., SANTA ROSA, CA. 95404
(707) 528-4503 FAX (707) 528-4505

DATE: 04/11/12	REVISED:	JOB NO: 13123-1/P2
-------------------	----------	-----------------------