

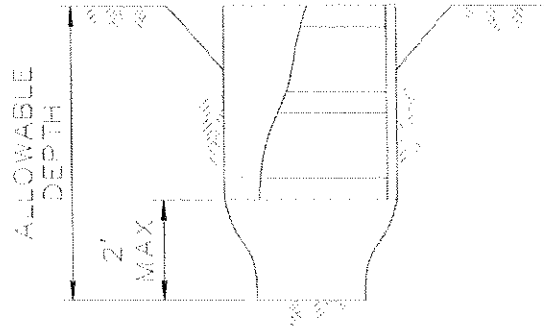
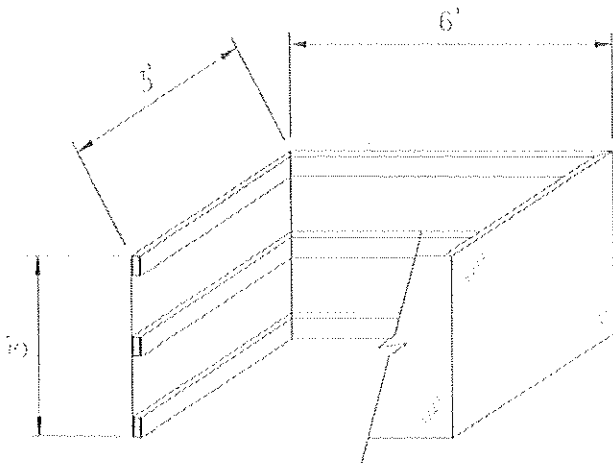
MANUFACTURERS TABULATED DATA SHEET

TAP SHIELD 3'D X 6'L x 36"W

MODEL NO.

MANHOLE BOX DEPTH	3	FT
LENGTH	6	FT
THICKNESS	2	IN
SHIELD WEIGHT	2622	LBS

ALLOWABLE LOADING AND DEPTH (FT)				
RATING (PSF)	A-25	B-45	C-60	C-80
1342	30	30	22	17



Notes:

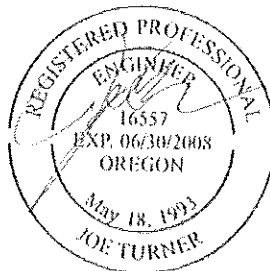
- 1) All excavations shall be in accordance with OSHA CFR 29, Part 1926, Subpart P, July 1997, and State OSHA Safety orders.
- 2) Soil shall be classified in accordance with OSHA Appendix A or by a registered civil engineer prior to installing this equipment.
- 3) Shield may be held 2 ft above the bottom of the excavation.
- 4) Shoring box loading shall be determined by a competent person or engineer. The above depth ratings allow a 72 PSF surcharge load. Equipment and spoil piles spaced minimum 2 FT from the edge of the excavation will exert a 72 PSF surcharge load.
- 5) Shoring box shall be assembled prior to placing it in excavation.

CASCADE SHORING

Underground Safety Equipment
 4605 Turner Road
 Salem, Oregon 97301

MANUFACTURER
 WRIGHT MFG, LLC

MODEL/SERIAL NUMBER



TAP SHIELD 3'D X 6'L x 36"W

J.M. TURNER ENGINEERING, INC.
 CONSULTING ENGINEERS



1335 N. DUTTON AVE., SANTA ROSA, CA
 (707) 528-4503 FAX (707) 528-4505

DATE REVISD JOB NO:
 6/20/2006 9534-1