

# MANUFACTURERS TABULATED DATA SHEET

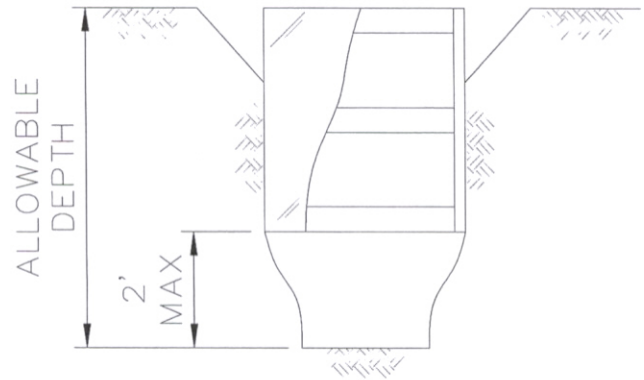
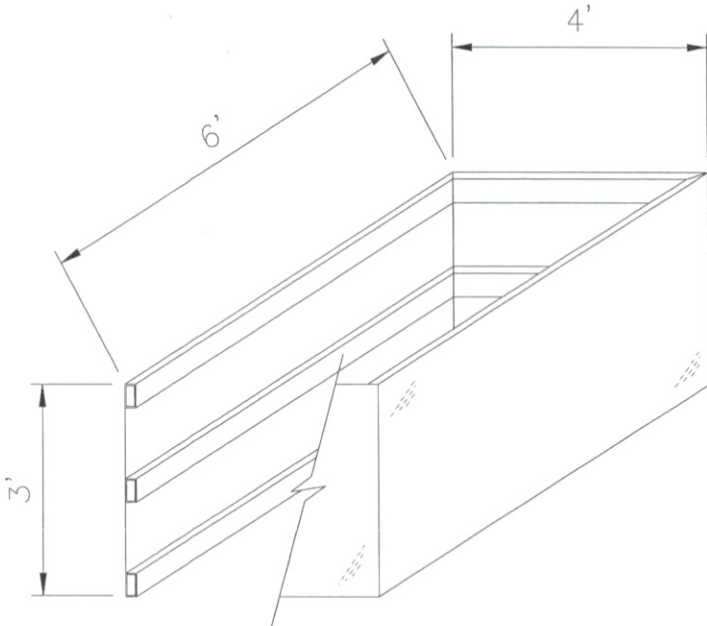
## TAP SHIELD 3'D X 6'L x 48"W

MODEL NO.

MANHOLE BOX DEPTH	3	FT
LENGTH	6	FT
THICKNESS	2	IN
SHIELD WEIGHT	2622	LBS

### ALLOWABLE LOADING AND DEPTH (FT)

RATING (PSF)	A-25	B-45	C-60	C-80
1342	30	30	22	17



**Notes:**

- 1) All excavations shall be in accordance with OSHA CFR 29, Part 1926, Subpart P. July 1997, and State OSHA Safety orders.
- 2) Soil shall be classified in accordance with OSHA Appendix A or by a registered civil engineer prior to installing this equipment.
- 3) Shield may be held 2 ft above the bottom of the excavation.
- 4) Shoring box loading shall be determined by a competent person or engineer. The above depth ratings allow a 72 PSF surcharge load. Equipment and spoil piles spaced minimum 2 FT from the edge of the excavation will exert a 72 PSF surcharge load.
- 5) Shoring box shall be assembled prior to placing it in excavation.

## CASCADE SHORING

Underground Safety Equipment  
4605 Turner Road  
Salem, Oregon 97301

MANUFACTURER  
WRIGHT MFG, LLC

MODEL/SERIAL NUMBER



## TAP SHIELD 3'D X 6'L x 48"W

*J.M. TURNER ENGINEERING, INC.*  
CONSULTING ENGINEERS



1335 N. DUTTON AVE., SANTA ROSA, CA.  
(707) 528-4503 FAX (707) 528-4505

DATE	REVISED	JOB NO.:
6/28/2006		9534-2