

MANUFACTURERS TABULATED DATA SHEET

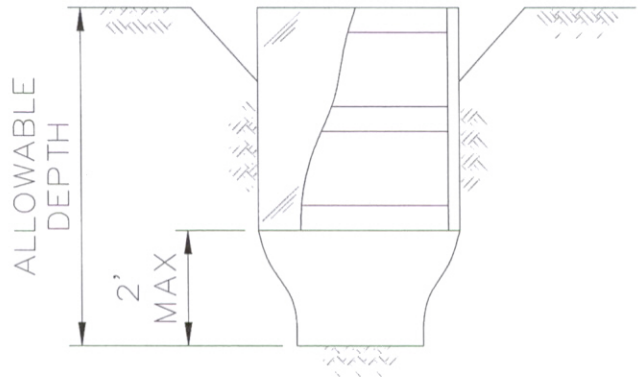
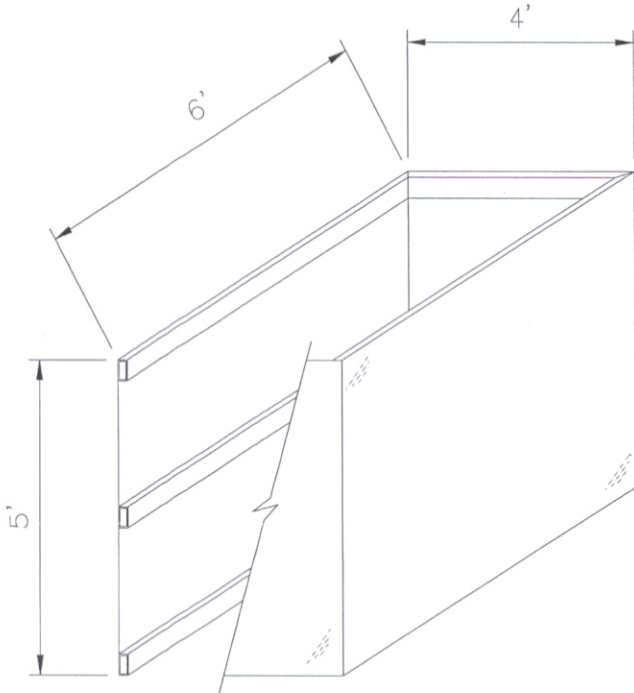
TAP SHIELD 5'D X 6'L x 48"W

MODEL NO.

| | | |
|-------------------|------|-----|
| MANHOLE BOX DEPTH | 5 | FT |
| LENGTH | 6 | FT |
| THICKNESS | 2 | IN |
| SHIELD WEIGHT | 3452 | LBS |

ALLOWABLE LOADING AND DEPTH (FT)

| RATING (PSF) | A-25 | B-45 | C-60 | C-80 |
|--------------|------|------|------|------|
| 961 | 30 | 21 | 16 | 12 |



- Notes:
- 1) All excavations shall be in accordance with OSHA CFR 29, Part 1926, Subpart P. July 1997, and State OSHA Safety orders.
 - 2) Soil shall be classified in accordance with OSHA Appendix A or by a registered civil engineer prior to installing this equipment.
 - 3) Shield may be held 2 ft above the bottom of the excavation.
 - 4) Shoring box loading shall be determined by a competent person or engineer. The above depth ratings allow a 72 PSF surcharge load. Equipment and spoil piles spaced minimum 2 FT from the edge of the excavation will exert a 72 PSF surcharge load.
 - 5) Shoring box shall be assembled prior to placing it in excavation.

CASCADE SHORING

Underground Safety Equipment
4605 Turner Road
Salem, Oregon 97301

MANUFACTURER
WRIGHT MFG, LLC

MODEL/SERIAL NUMBER



TAP SHIELD 5'D X 6'L x 48"W

J.M. TURNER ENGINEERING, INC.
CONSULTING ENGINEERS



1335 N. DUTTON AVE., SANTA ROSA, CA.
(707) 528-4503 FAX (707) 528-4505

| | | |
|-----------|---------|---------|
| DATE | REVISED | JOB NO. |
| 6/28/2006 | | 9534-2 |